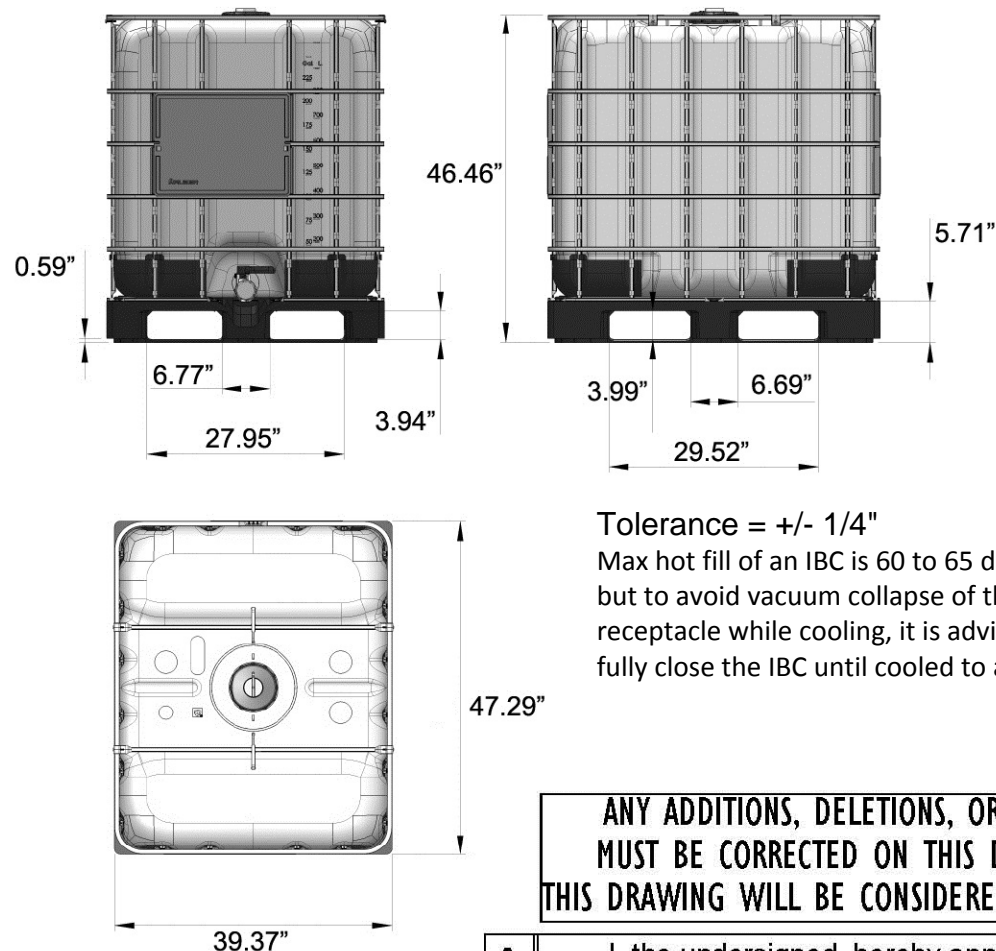


# INTERMEDIATE BULK STORAGE CONTAINER



Tolerance = +/- 1/4"

Max hot fill of an IBC is 60 to 65 degrees C but to avoid vacuum collapse of the inner receptacle while cooling, it is advised to not fully close the IBC until cooled to ambient.

## STANDARD FEATURES:

- MODEL NUMBER: IBC-275
- VOLUME CAPACITY: 275 GALLONS
- OVERALL SIZE: 40"W X 48"L X 46½"H
- FDA COMPLIANT GALVANIZED STEEL CAGE
- WHITE PLASTIC INNER STORAGE TANK
- INNER STORAGE TANK INCLUDE UV-STABILIZERS
- BUTTERFLY VALVE, 2", WITH FLUOROCARBON RUBBER GASKET
- TOP FILL CAP, 6" DIA WITH 2" BUNG
- COMPLETE UNIT IS UN APPROVED
- WEIGHT: 130 LBS

**ANY ADDITIONS, DELETIONS, OR OMISSIONS MUST BE CORRECTED ON THIS DRAWING AS THIS DRAWING WILL BE CONSIDERED ALL INCLUSIVE**

<b>APPROVAL</b>	I, the undersigned, hereby approve this print. This includes my approval of design & dimensions	
	<input type="checkbox"/> As drawn	<input type="checkbox"/> As marked
	Signed: _____	Date: _____
LEAD TIME WILL START UPON RECEIPT OF SIGNED APPROVAL DRAWING		

**ALL GRAPHICS PROVIDED ARE FOR REFERENCE ONLY. IF CERTAIN DIMENSIONS ARE CRITICAL PLEASE VERIFY THOSE DIMENSIONS WITH YOUR SALESPERSON**

**ALL SPECIAL UNITS ARE NON-RETURNABLE**

<b>VESTIL MANUFACTURING</b>			P.O.#
			W.O.#
DRAWN BY: KMS	DATE: 03/31/10	SCALE: NTS	SALES:
REFERENCE:	QUOTE #	FILE NAME: IBC-275	